

Timer control unit

Timer control unit

BT Chrono

Description:

- ▶ Principally used for events, talking time, in operating theatre...
- ▶ Counting up/down with Style 5S and 12S clocks.
- ▶ Hour or chronometer display.
- ▶ **Hour – minute – second** from 0 to 23 : 59 : 59.
- ▶ Counting up/down and clock/chronometer mode selector.
- ▶ Functions: start, stop, intermediate time, preselection, reset.
- ▶ The BT Chrono has a relay that is activated at the end the count (up or down). This relay (8A 250V) can be used to activate an indicator light or a buzzer (not supplied).



Keys description:

- ▶ A chronometer/clock display mode selector switch.
- ▶ A counting up/down mode selector switch.
- ▶ Two keys H and M for hour/minute preselection in counting down mode.
- ▶ A reset key: reset of the chronometer in stop mode.
- ▶ A split key for intermediate time display during 5 seconds.
- ▶ A start/stop key: successive pressing for start/stop of the chronometer.

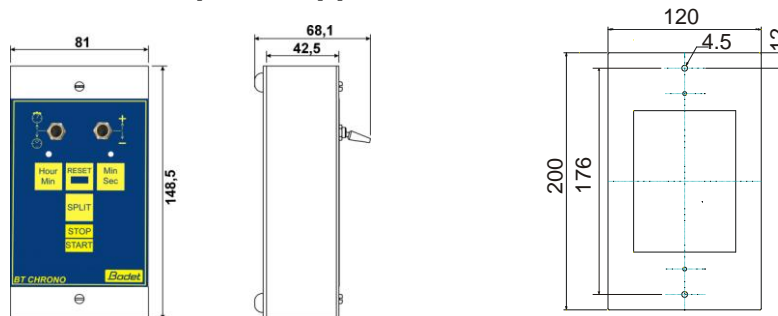
Technical features:

- ▶ Connection to the clock with a 2-pair 5/10th SYT cable of 20m maximum.
- ▶ Power supplied by the clock. Consumption: 20 mA.
- ▶ The timer control unit can control up to 10 clocks.
- ▶ Operating temperature: 0 à 50°C.
- ▶ Protection Index: IP54.
- ▶ Weight: 255g.

Norms:

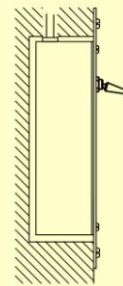
- ▶ Norm NF EN50081-1: generic emission standard.
- ▶ Norm NF EN50082-1: generic immunity standard.
- ▶ Norm NF EN60950: safety of information technology equipment.

BT Timer wall plate support dimensions in mm:



Mounting options

Wall recessed mounting
with wall plate support



Wall mounting

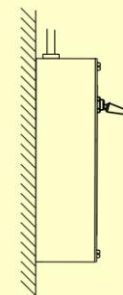
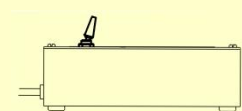


Table top



BT Chrono references

- ▶ Timer control unit BT Chrono 936 400
- ▶ Wall plate support BT Chrono 936 405



Réf. 643481 G